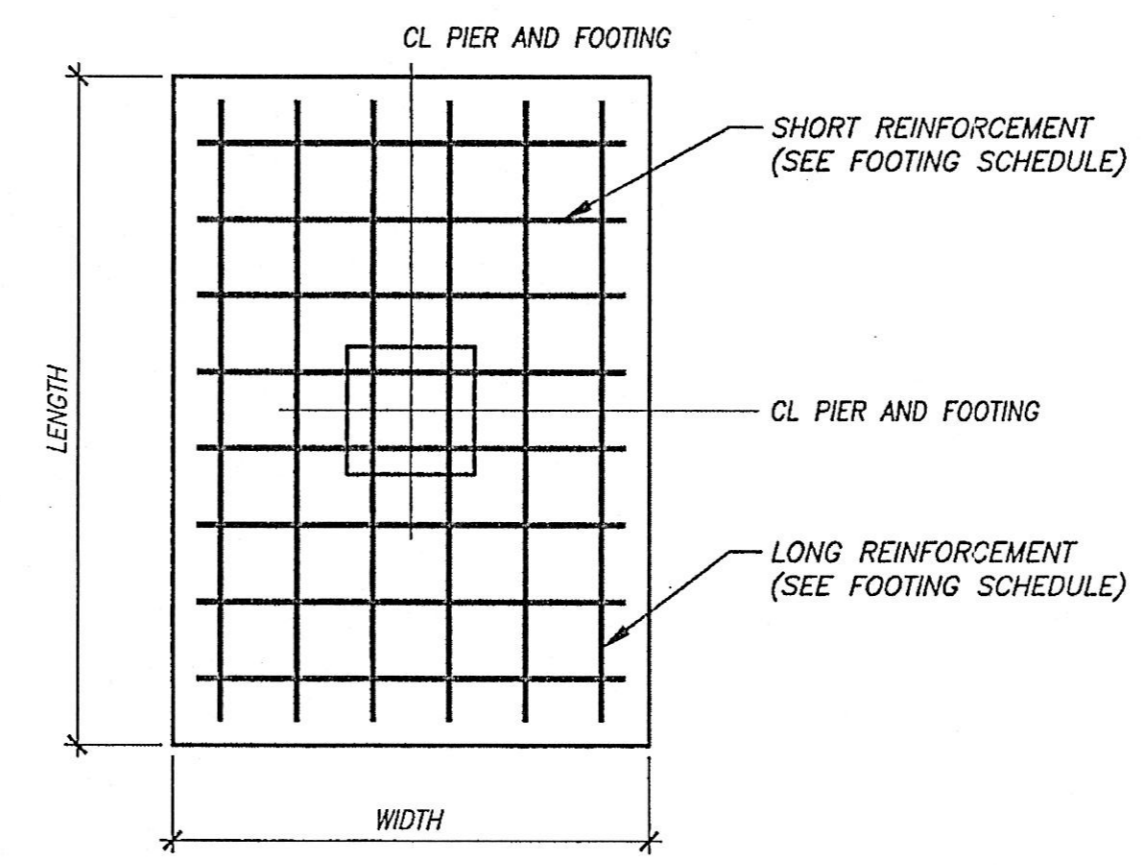


1 TYPICAL BASEMENT WALL SECTION

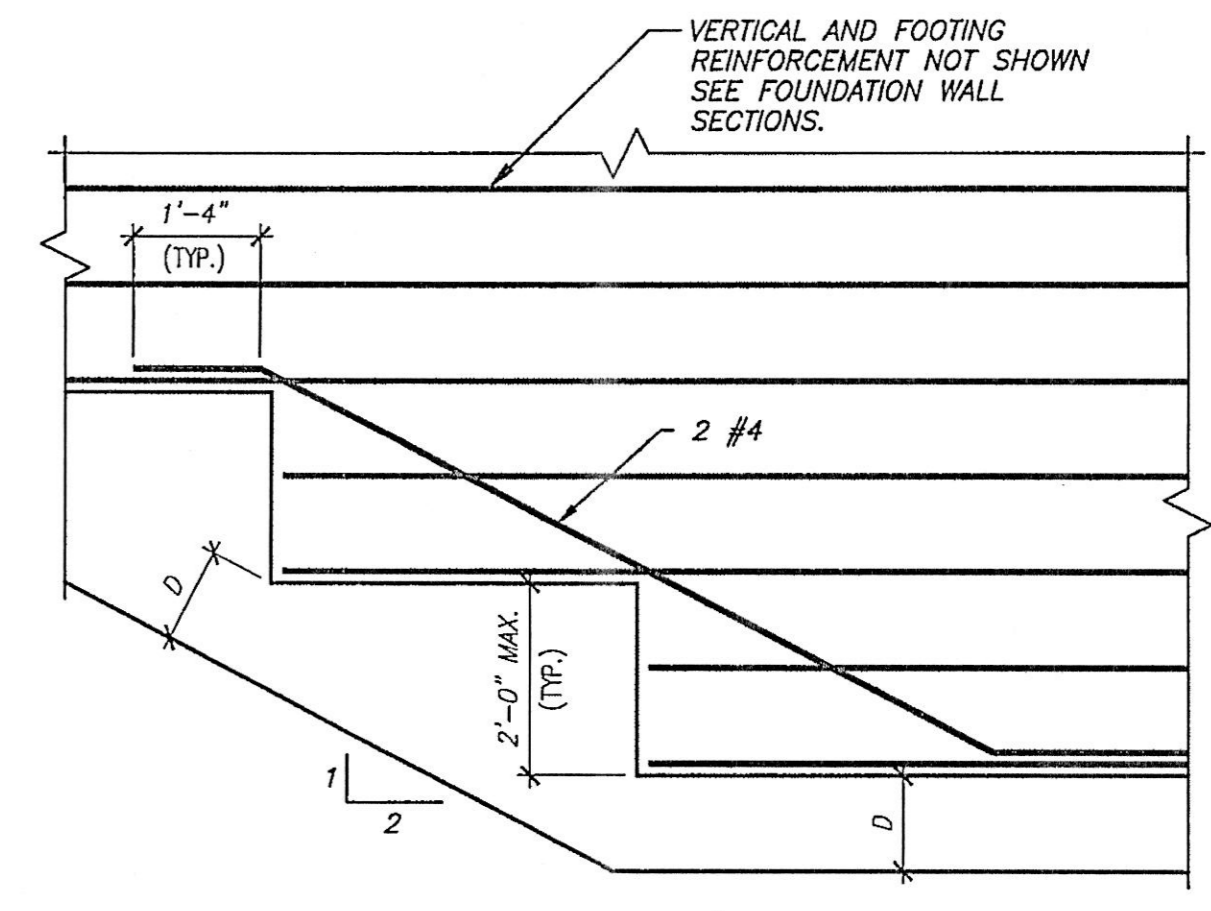
FOOTING SCHEDULE						
FOOTING MARK	SIZE			BOT. REINF.		REMARKS
	WIDTH	LENGTH	DEPTH	LONG.	SHORT	
F4	4'-0"	4'-0"	1'-0"	5-#5	5-#5	
F5	5'-0"	5'-0"	1'-2"	6-#6	6-#6	
F6	6'-0"	6'-0"	1'-4"	7-#6	7-#6	

$f_b = 3,000$ PSF
 $f'_c = 4,000$ PSI
 $f_y = 60,000$ PSI

2 FOOTING SCHEDULE

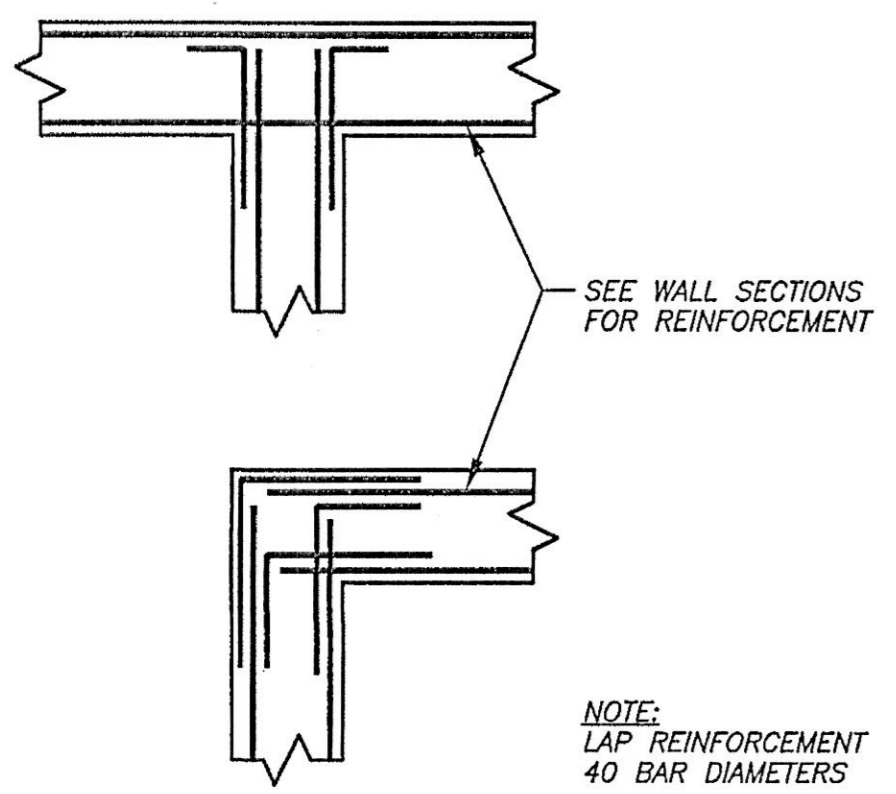


3 TYPICAL RECTANGULAR FOOTING PLAN

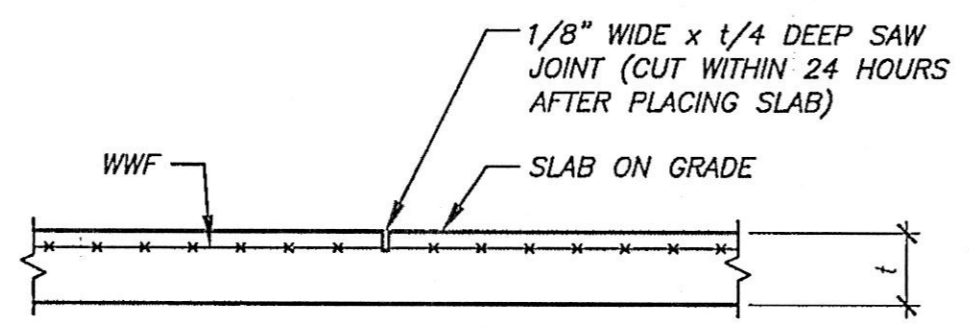


4 TYPICAL STEPPED FOOTING DETAIL

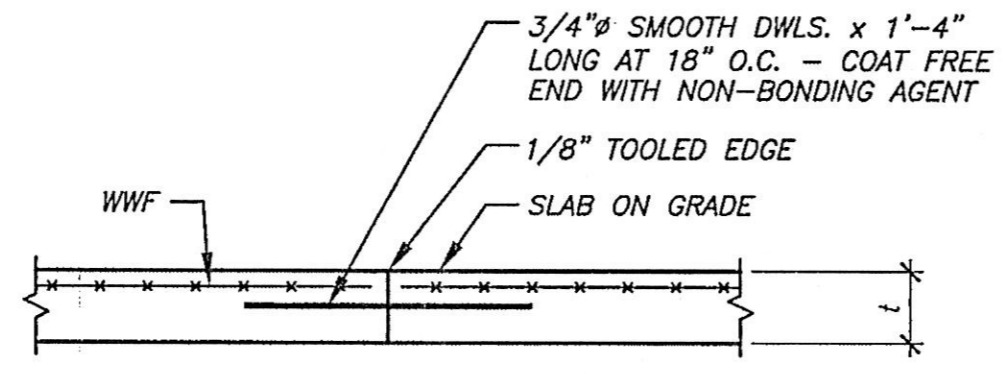
D = FOOTING DEPTH
SEE FOUNDATION WALL SECTIONS



5 TYPICAL WALL CORNER REINFORCING DETAIL

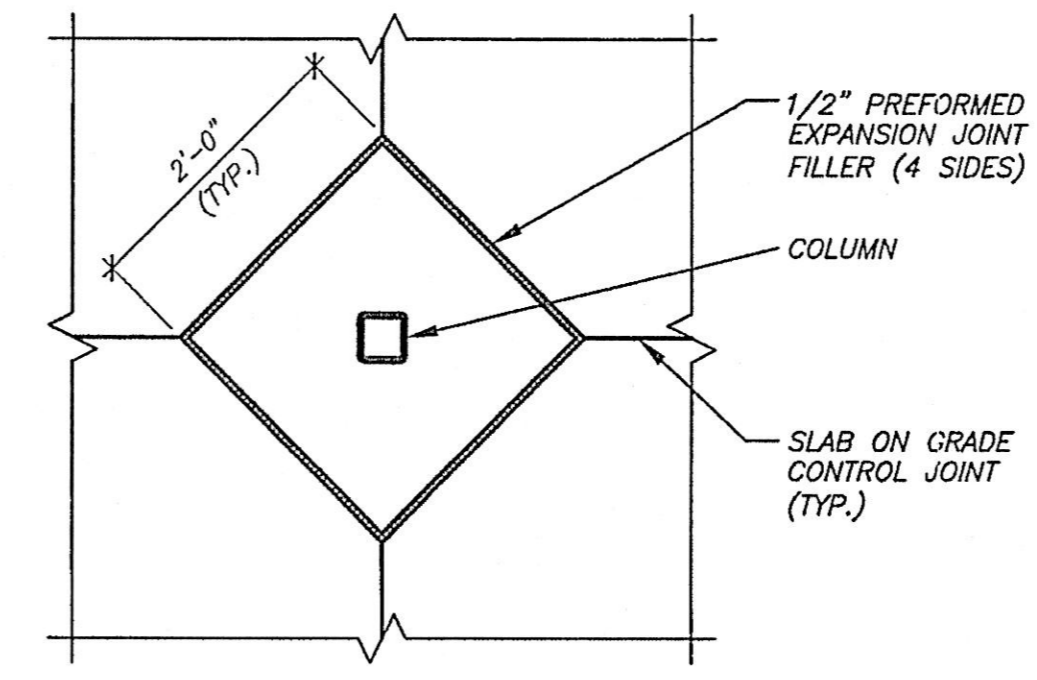


CONTROL JOINT

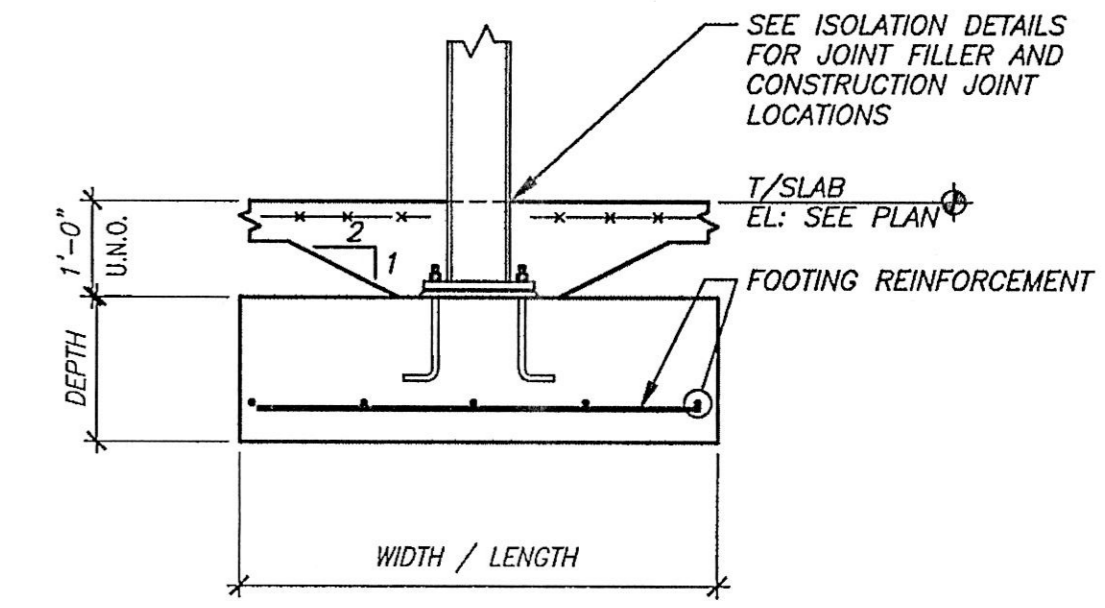


CONSTRUCTION JOINT

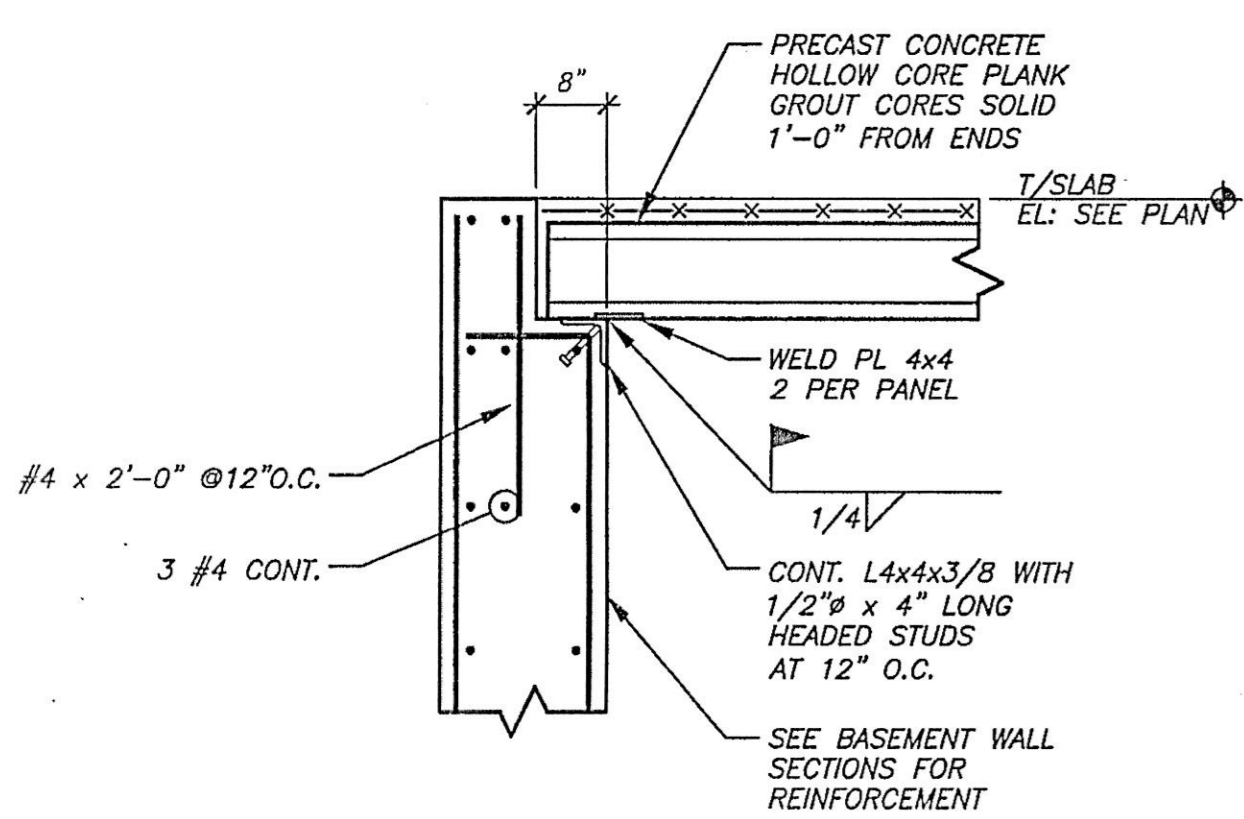
6 TYPICAL SLAB ON GRADE JOINT DETAILS



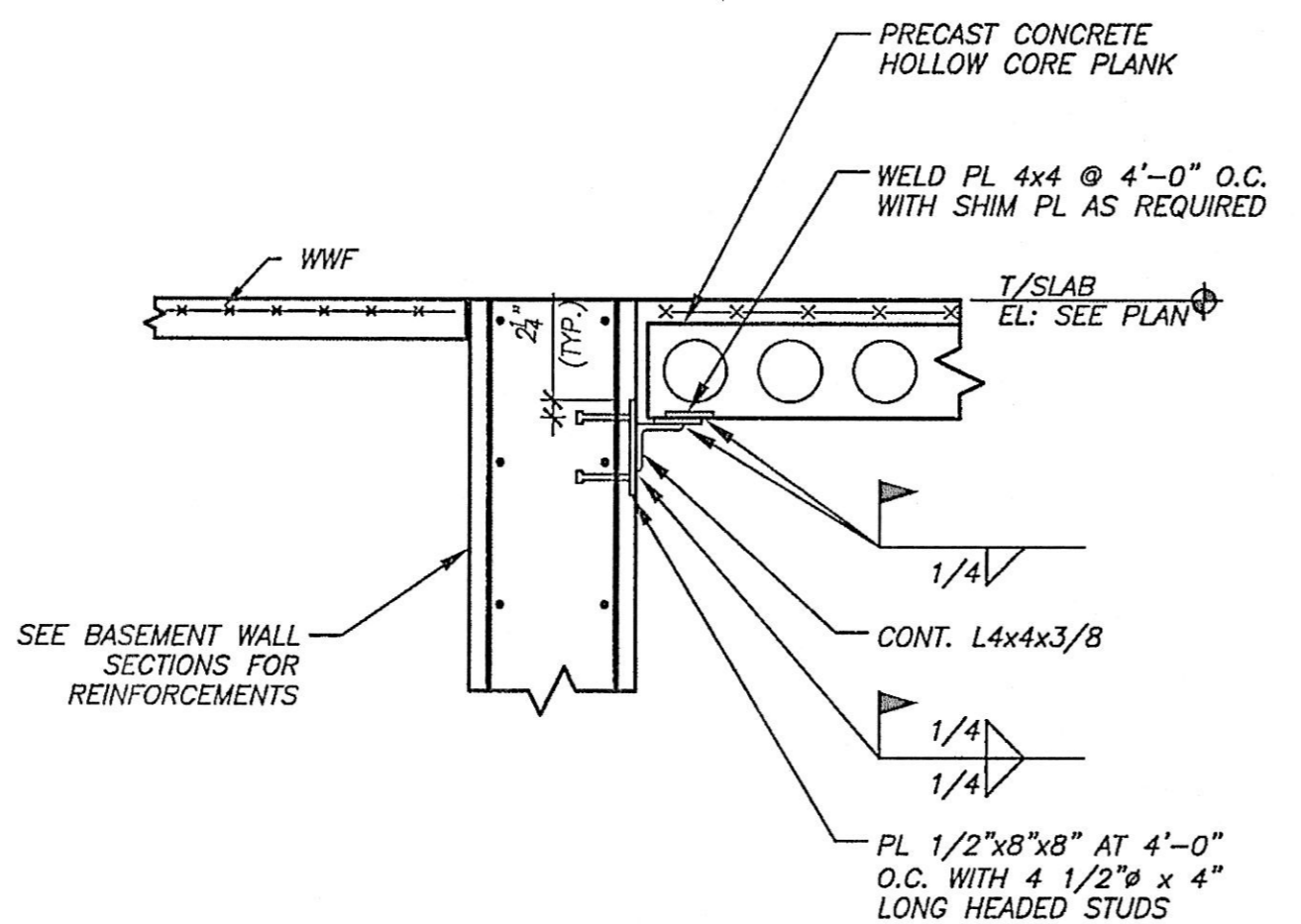
7 TYP. INTERIOR COLUMN ISOLATION JOINT DETAIL



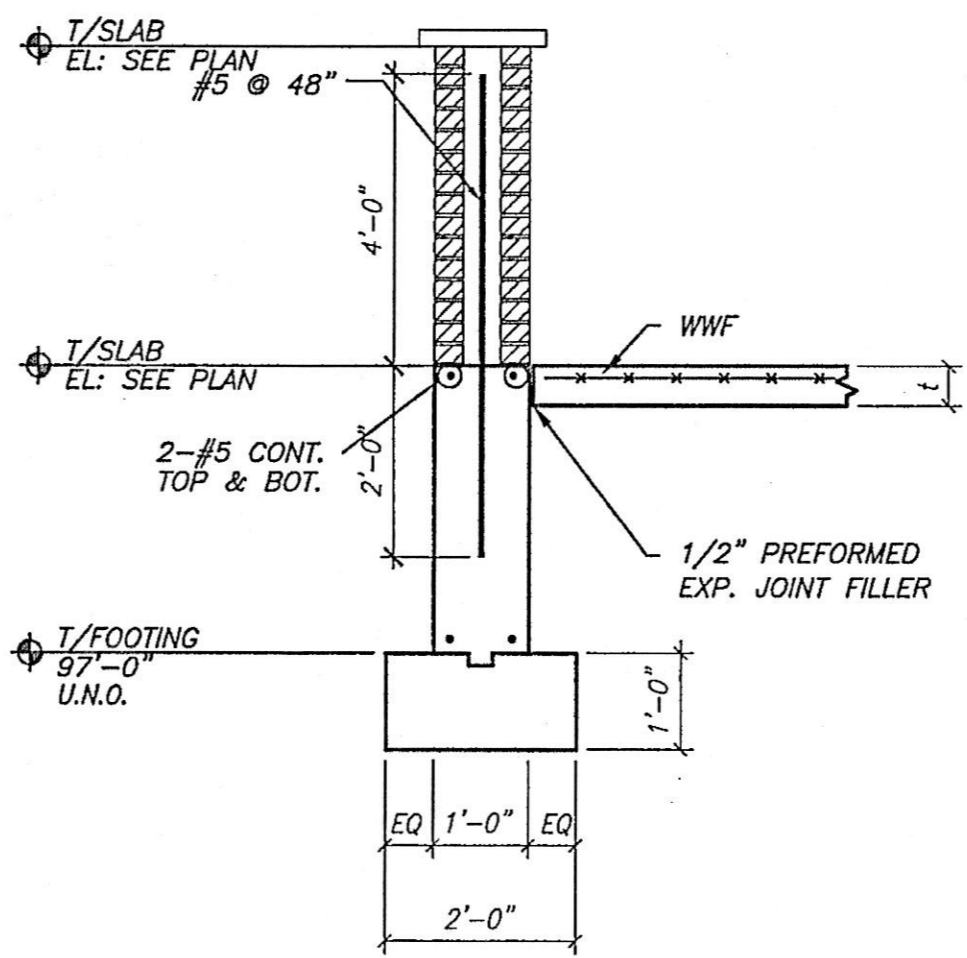
8 TYPICAL FOOTING DETAIL



9 TYPICAL PLANK SUPPORT DETAIL AT TOP OF WALL



10 TYPICAL DETAIL AT TOP OF WALL



11 TYPICAL FOUNDATION WALL SECTION

REVISIONS
 09/07/2007: Issued for Permit
 10/25/2007: City Comments
 12/07/2007: City Comments
 02/10/2008: City Comments

AL & JOES DELI
 Congress Station, Crystal Lake, Illinois
 FOUNDATION DETAILS

PARTNERS IN DESIGN
 ARCHITECTS
 770 Lake Cook Road, Suite 100
 Deerfield, Illinois 60015
 Tel: (847) 944-0330
 Fax: (847) 944-0405

PROJECT NO: 479.06.025
 DRAWN BY: SG CHECKED BY: PGV
 DATE: 08.27.07
 SHEET NO:

S2.1